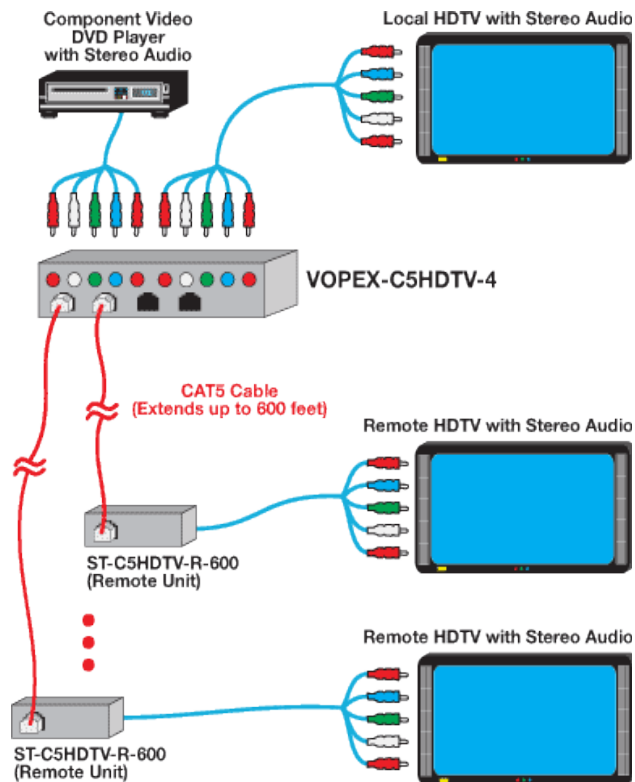


Arts A/V Technology & Communication



Designing
Producing
Exhibiting
Performing
Writing
Entertainment
Services

Academy of Careers & Technologies wants to introduce you to a rewarding career elective that will expose you to video arts, audio and video technology and the communications/media fields. You will have the opportunity to use your creativity and talents. learn the basic information that you need to know about the different fields

Qualifications

WE ACCEPT STUDENTS FROM ALL DISTRICTS

Qualifications

Students who desire to apply must see their counselor. To be considered for admission at Academy of Careers and Technologies students must:

- have a grade point average of “C “ (75 or higher) in core subjects*
- be successful in completing the eighth or ninth grade*
- be satisfactory in conduct and attendance, and*
- students must have an interest in this field of study*
- completed questionnaire*
- Passing TAKS scores*

Application

Applications are currently available. Applications are due by June 15th. All applicants will be informed of their application status including acceptance or non-acceptance between June 28th –July 9th. Students interested in applying after this deadline may do so, and those applications will be considered as space is available.

Certifications in Audio and Video

Osha Career Safe Final Cut Pro

Related Career Fields

<i>Business/Public Relations</i>	<i>Radio, Television Film</i>	<i>Media Technology</i>
<i>Audio Engineering</i>	<i>Broadcast Journalism</i>	<i>Photographer</i>
<i>Humanities</i>	<i>Electronic Communications</i>	<i>Marketing Photographic/Imaging</i>
<i>Film editor</i>	<i>Recording Engineering Technician</i>	<i>Announcers</i>

Courses for A/V Technology Students

Grade 9

- *English I*
- *Algebra I*
- *Biology*
- *World Geography*
- *Physical Education*
- *Art I*
- *Principles of Arts, Audio Video Technology, and Communications*
- *Career Preparation I*

Grade 10

- *English II*
- *Geometry*
- *IPC*
- *World History*
- *Foreign Language I*
- *Graphic Design & Illustration*
- *Audio Video Production*
- *Professional Communication*

Grade 11

- *English III*
- *Math Models w/Application*
- *Chemistry*
- *U.S History*
- *Foreign Language II*
- *Animation*
- *Advanced Audio Production*

Grade 12

- *English IV*
- *Algebra II*
- *Government/Economics*
- *Advanced Graphic Design & Illustration*
- *Advanced Animation*



Academy of Careers and Technologies is an equal opportunity educational institution that complies with the law. The school will provide educational services to any eligible adolescent within its geographical boundaries, and in accordance with its charter, without regard to race, ethnicity, citizen status, national origin, ancestry, gender, sexual orientation, age, religion, physical or mental disability, or any other factor protected by law.